

USER AND MAINTENANCE INSTRUCTIONS FOR ABOVE GROUND HYDRANT NON BREAK AWAY DN150 PN10/PN16

**Please read these instructions before use of this product.
No observance to the procedures from these instructions could lead to cancelation of warranty.**

Instructions for Use

Thank you for selecting Valman's product. With correct use, it will give long and reliable service. This manual has been prepared to assist you to safely install, operate and maintain Above hydrant non break away DN150 PN10/PN16 to its maximum efficiency. For ease of reference, the manual has been divided into sections covering all aspects of use.

Health and Safety at Work

It is recommended that whenever work is being carried out on a hydrants, that this one is fully depressurised. For convenience, draining of the line may be beneficial.

It is essential that the user of the hydrants is also aware of the weight of the components and/or assemblies that must be handled and manipulated during installation and maintenance. It is the users responsibility to ensure that safe working practices are followed at all times.

Whenever hydrants are installed, operated, or maintained, it is essential that the staff that undertake these operations are adequately trained. The hazards associated with pressurised liquids and gasses can be severe, and it is the responsibility of the user to ensure that trained, competent staff undertake these duties.

This manual has been designed to assist, but it can never fully replace quality training in the workplace.

Equipment is used and maintained in accordance with this manual. The user is advised to study this manual, and to make it available to all staff that may need it as a reference.

Any damaged parts of the replaced product can be recycled as well as the product if it is withdrawn from use and in accordance with the prescribed national environmental protection regulations.



'VALMAN' doo, Gospodara Vučića 35, Beograd
Manufacture Ind. Zona, Smederevo

Tel./Fax:+381 (0)11-744-6094 E-mail: info@valman.rs [http:// www.valman.rs](http://www.valman.rs)

We reserve the right to make technical changes

Application:

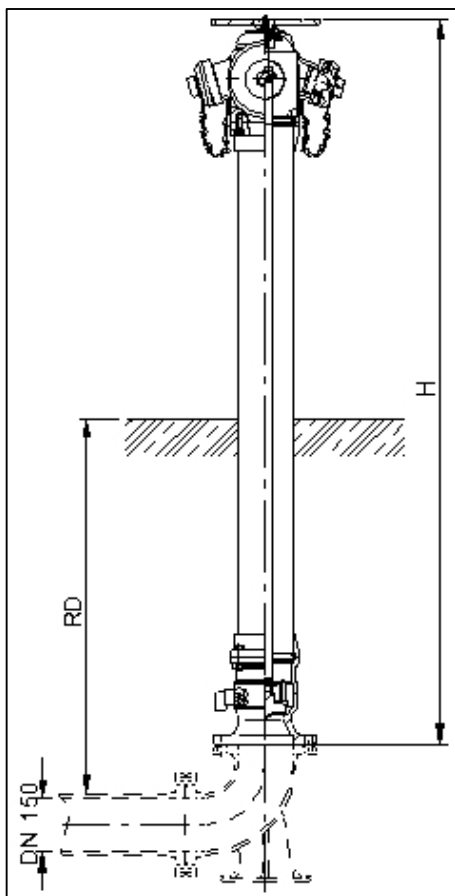
- Above ground hydrant non break away is installed on the **FLUSHED** pipeline for water supply for extinguishing the fire, street washing, filling the tank trailers, watering the green surfaces and similar.

Specifications:

FOR NOMINAL PRESSURE BY REQUEST: PN10 or PN16 bar

Above hydrant non break away is produced according to the standard EN14384, flange according the standard EN1092-2 for nominal pressure PN10/PN16. Head, base, piston and couplings of the hydrant are nodular cast iron, plastification by EWS protection (Epoxy-Dusty-Sinter) according to the standard DIN30677-2 and RAL-GZ 662 (GSK). Outer pipe is made of stainless steel, all inner parts are corrosion resistant. Drainage is provided so the water doesn't stay in hydrant, whereby freezing of the water is prevented. Special maintenance is not necessary. Strength and tightness of Above hydrant non break away is tested according to the standard EN12266-1 (P10, P11, P12). By EN14384 it belongs to group A with torque range 1 (MOT,mST) = (80 Nm; 250Nm). Hydrant cap could be from aluminium or nodular cast iron.

It is produced in versions with standard stationary connections for fire extinguishing water hoses opening of the hydrant with hydrant key or wheel by request.



Pic 1. Above ground non break away hydrant DN150 with wheel.

- With one stationary connection type A (DIN 14319) and two stationary connections type B (DIN 14318).
- With two stationary connections type B (DIN 14318)

Table 1. Built-in dimensions

Code	Product	DN	RD*	H/H1	Connection
2501701	Above ground hydrant non break away (A+2B)-RD1000	150	1000	2020/ 1980	A+ 2B
2501702	Above ground hydrant non break away (A+2B)-RD1250	150	1250	2270/ 2230	A+ 2B
2501703	Above ground hydrant non break away (A+2B)-RD1500	150	1500	2520/ 2480	A+ 2B
2501704	Above ground hydrant non break away (2B)-RD1000	150	1000	2020/ 1980	2B
2501705	Above ground hydrant non break away (2B)-RD1250	150	1250	2270/ 2230	2B
2501706	Above ground hydrant non break away (2B)-RD1500	150	1500	2520/ 2480	2B

RD* – built in depth, H/H1-height with cap/wheel



'VALMAN' doo, Gospodara Vučića 35, Beograd
Manufacture Ind. Zona, Smederevo

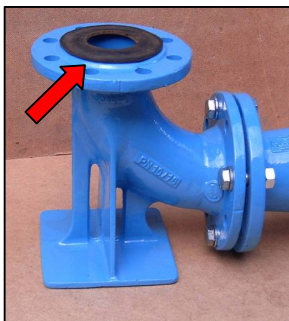
Tel./Fax:+381 (0)11-744-6094 E-mail: info@valman.rs [http:// www.valman.rs](http://www.valman.rs)

We reserve the right to make technical changes

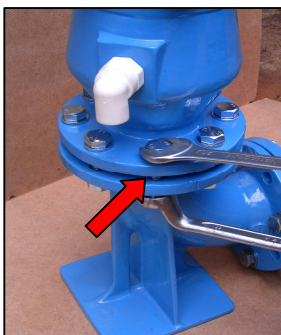
Storage conditions

- Recommended storage temperature is below 25°C (77°F). Product should be stored in such a way to avoid direct sunlight, keep on dry and at moderate humidity. In the storage room there should be no high voltage installation producing ozone or electrical discharge. Product should be kept clean in storage room, periodically the dust should be wiped out with dry cloth. Keep hydrant in original pack in storage if you do not use and do not remove hydrants AL socket caps to avoid dirt to go inside (Pic 9, positions 4, 5)

Installation and hydrant testing



Pic 2.



Pic 3.



Pic 4.

Installation of the hydrant

1.) Pri 1.) During installation of the hydrant the water supply system should not be under pressure.

2.) Before the installation of the hydrant on the new water supply system, the complete system should be washed out to remove dirt and foreign bodies. In counterpart the gaskets could be damaged.

3.) Before the installation of the hydrant on the water supply please check if the hydrant is closed. Hydrant cap/wheel is turned 360°, to the right clockwise for closing, to the left counter clockwise for opening.

- During closing and opening of the hydrant the standard wrench for opening the hydrant is used. Extension bars should not be used to prevent damage to the hydrant gaskets.

4.) First, corresponding gasket should be placed on the flange (Pic 2)

- Hydrant is commonly connected to the water supply system with standard N or FF piece.

5.) Place the base of hydrant on the flange and gradually fasten the bolts alternately (Pic 5). It is obligatory to place the certain washers to prevent damage to the plasticized surface.

Hydrant testing

1.) After montage all bolt (Pic 4) and hydrant close down connect hose check out are all tighten.

2.) Put installation under pressure.

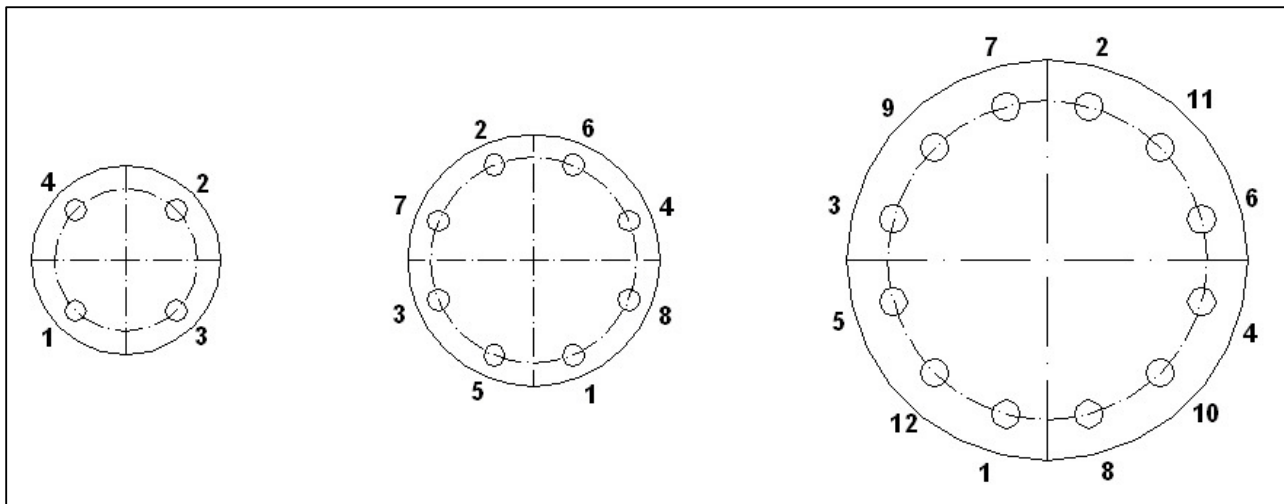
3.) All by procedure (Page 6 - Maintenance)

4.) After testing hydrant close down.

Note: Montage of the Above ground hydrant could be made by 3 qualified persons for installation of fittings.



Tightening flange connections



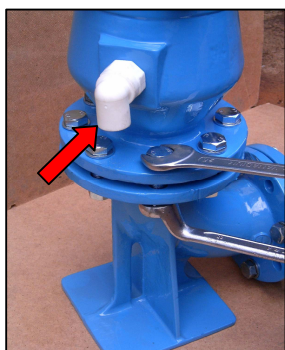
Pic 5. Scedule of tightening flange connections

Recommendation:

Table 2. Tightening flange connections on hydrant base

Nominal diameter DN	40 - 65	80 - 200	80 - 150	250 - 300	200 - 300
Nominal pressure NP	10/16	10	16	10	16
Tightening torque Nm*	30	60		80	

* - Torque tightehing messured by torque key

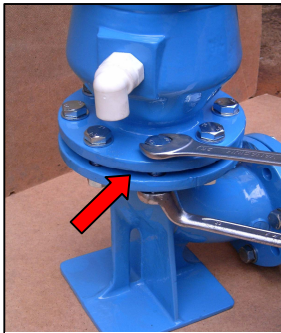


In hydrant installation keep attention that do not cover, drainage with cement or solid body it will disable drainage function.

Pic 6.



Hydrant Demontage



Pic 7.



Pic 8.

Hydrant Demontage

- 1.) During uninstalling of the hydrant the water supply system should not be under pressure.
- 2.) Before uninstalling of the hydrant from the water supply system check out if the hydrant is closed. Hydrant cap/wheel is turned 360°, to the right clockwise for closing, to the left contraclockwise for opening.
- **During closing and opening of the hydrant the standard wrench for opening the hydrant is used. Extension bars should not be used to prevent damage to the hydrant gaskets.**
- 3.) Gradually release the bolts clockwise, while the upper part of the hydrant should be hold (Pic 7).
- 4.) Remove old gasket (Pic 8).

Note: Demontage of the Above ground hydrant could be made by 3 qualified persons for installation of fittings.

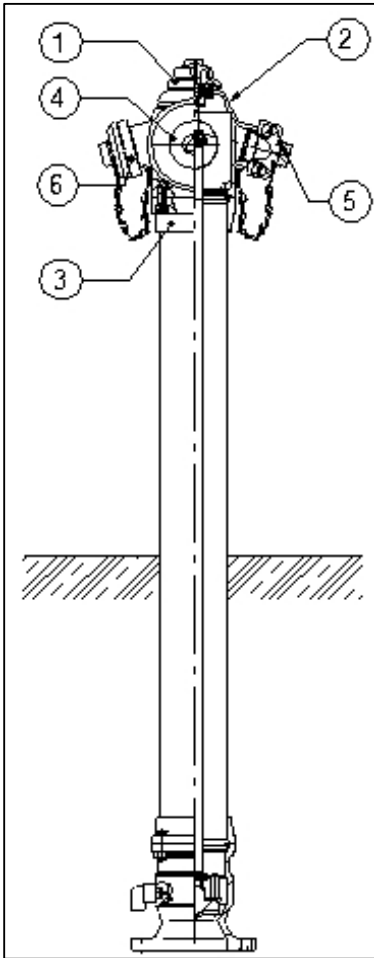
Spare parts

During servicing, it is necessary to contact technical department Valman doo for spare parts or any additional technical detail or instructions.



Maintenance

Hydrant do not require special maintenance, preventive checks carried out every 3 months:



Pic 9. Above ground non break away hydrant DN150 with cap.

1.) Visually check the cap/wheel (1), head (2), head coupling (3), connection coupling A (4), connection couplings B (5, 6) and pipe of the hydrant for eventual physical damage during exploitation.

2.) Open the plug of the coupling B (5 or 6), connect B hose.

3.) Open the hydrant to the maximum by turning the cap/wheel (1) counter clockwise. When the hydrant is under the pressure of the fluid check if there is flow.

4.) Visually check all above ground parts that there are not leaking on hydrants parts.

5.) Close the hydrant by turning the hydrant cap/wheel (1) clockwise.

6.) Wait for hydrant drainage, disconnect hydrant B hose.

7.) Wash the Above ground parts of the hydrant with water to remove the dirt from air (smog, dust ...)

REMARK: PAY ATTENTION

A. PIPELINE / INSTALLATION FOR MOUNTED HYDRANTS MUST BE FLUSHED AND CLEAN - MUST NOT HAVE SOLID FOREIGN OBJECTS (GRAVEL, STONES, CINDERS ...). IF SUCH A BODY IS ON SEAT OF HYDRANT OR PISTON, WHEN CLOSING THERE WILL BE PERMANENT DAMAGE TO RUBBER PISTON AND SEATS AND PREVENT PROPER FUNCTION OF THE HYDRANT, WHICH IS NOT SUSCEPTIBLE RECLAMATION.

B. PROHIBITED USE EXTRA TOOL TYPE ROD ON CAP/WHEEL FOR HYDRANT OPENING AND CLOSING, IT CAN LEAD TO EXCESSIVE USE OF FORCE AND DAMAGE THE HYDRANT MECHANISM !!!!

C. ALWAYS KEEP HYDRANT ALUMINIUM SOCKET PLUGS FOR CONNECTION CLOSED WHENEVER HYDRANT IS NOT USED TO AVOID DUST AND OUTSIDE WATER INSIDE. KEEP HYDRANT CLOSED IF IT IS NOT IN USAGE.

