

## **USER AND MAINTENANCE INSTRUCTIONS**

### **FOR ABOVE GROUND HYDRANT NON BREAK AWAY WITH ARM OF COAT**

Please read these instructions before use of this product.  
No observance to the procedures from these instructions could lead to cancelation of warranty.

#### **Instructions for Use**

Thank you for selecting Valman's product. With correct use, it will give long and reliable service. This manual has been prepared to assist you to safely install, operate and maintain Above hydrant non break away to its maximum efficiency.

For ease of reference, the manual has been divided into sections covering all aspects of use.

#### **Health and Safety at Work**

It is recommended that whenever work is being carried out on a hydrants, that this one is fully depressurised.

For convenience, draining of the line may be beneficial.

It is essential that the user of the hydrants is also aware of the weight of the components and/or assemblies that must be handled and manipulated during installation and maintenance. It is the users responsibility to ensure that safe working practices are followed at all times.

Whenever hydrants are installed, operated, or maintained, it is essential that the staff that undertake these operations are adequately trained. The hazards associated with pressurised liquids and gasses can be severe, and it is the responsibility of the user to ensure that trained, competent staff undertake these duties.

This manual has been designed to assist, but it can never fully replace quality training in the workplace.

Equipment is used and maintained in accordance with this manual. The user is advised to study this manual, and to make it available to all staff that may need it as a reference.



'VALMAN' doo, Gospodara Vučića 35, Beograd  
Proizvodnja Ind. Zona, Smederevo

Tel./Fax: +381 (0)11-744-6094 E-mail: [info@valman.rs](mailto:info@valman.rs) [http:// www.valman.rs](http://www.valman.rs)

We reserve right to make technical changes

### Application:

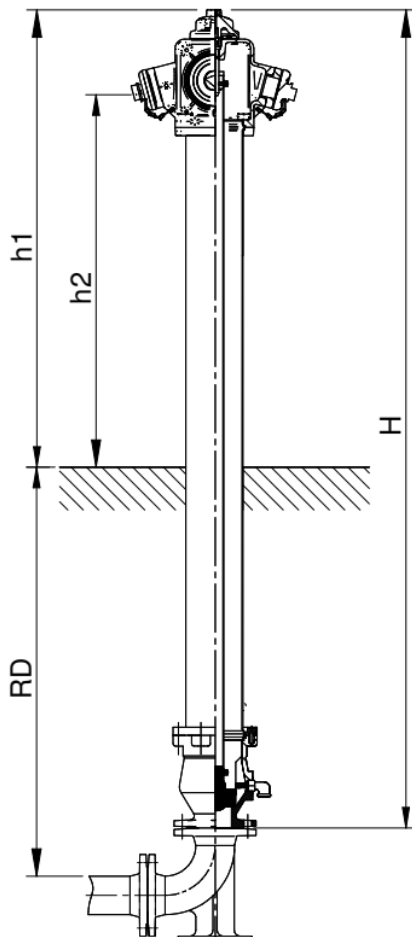
- Above ground hydrant non break away is installed on the **FLUSHED** pipeline for water supply for extinguishing the fire, street washing, filling the tank trailers, watering the

### Specifications:

**FOR NOMINAL PRESSURE BY REQUEST: PN10 / PN16 bar**

Above hydrant non break away is produced according to the standard EN14384, flange according the standard EN1092-2 for nominal pressure PN10/PN16. Head, base, cap and couplings of the hydrant are cast material, plasticized EWS protection (Epoxy-Dusty-Sinter) according to the standard DIN30677-2. Outer pipe is made of stainless steel, all inner parts are corrosion resistant. Drainage is provided so the water doesn't stay in hydrant, whereby freezing of the water is prevented. Special maintenance is not necessary. Strength and tightness of Above hydrant non break away is tested according to the standard EN12266-1 (P10, P11, P12). By EN14384 it belongs to group A with torque range 1 (MOT,mST) = (80 Nm; 250Nm).

It is produced in versions with standard stationary connections for fire extinguishing water hoses opening of the hydrant with hydrant key.



**Table 1.** Built-in dimensions

Code	DN	RD	Sockets			Hydrant body		
			A	B	C	H (mm)	h1 (mm)	h2 (mm)
2520001	80	1000	-	1	2	1985	1105	900
2540001	80		-	2	-		1105	900
2530001	100		1	2	-	1995	1115	910
2550001	100		-	2	-		1115	910
2520002	80	1250	-	1	2	2235	1355	1150
2540002	80		-	2	-		1355	1150
2530001	100		1	2	-	2245	1365	1160
2550002	100		-	2	-		1365	1160
2520003	80	1500	-	1	2	2485	1605	1400
2540003	80		-	2	-		1605	1400
2530001	100		1	2	-	2495	1615	1410
2550003	100		-	2	-		1615	1410

**RD\* – built in depth**

**Pic 1.** Above ground non break away hydrant.



'VALMAN' doo, Gospodara Vučića 35, Beograd  
Proizvodnja Ind. Zona, Smederevo

Tel./Fax: +381 (0)11-744-6094 E-mail: [info@valman.rs](mailto:info@valman.rs) [http:// www.valman.rs](http://www.valman.rs)

We reserve right to make technical changes

## Storage conditions

Recommended storage temperature is below 25°C (77°F). Product should be stored in such a way to avoid direct sunlight, keep on dry and at moderate humidity. In the storage room there should be no high voltage installation producing ozone or electrical discharge. Product should be kept clean in storage room, periodically the dust should be wiped out with dry cloth. Keep hydrant in original pack in storage if you do not use and do not remove hydrants AL socket caps to avoid dirt to go inside (Pic 9, positions 4, 5).

## Installation and hydrant testing



**Pic 2.**



**Pic 3.**



**Pic 4.**

### Installation of the hydrant

1.) During installation of the hydrant the water supply system should not be under pressure.

**2.) Before the installation of the hydrant on the new water supply system, the complete system should be washed out to remove dirt and foreign bodies. In counterpart the gaskets could be damaged.**

3.) Before the installation of the hydrant on the water supply please check if the hydrant is closed. Hydrant cap/wheel is turned 360°, to the right clockwise for closing, to the left counter clockwise for opening.

**- During closing and opening of the hydrant the standard wrench for opening the hydrant is used. Extension bars should not be used to prevent damage to the hydrant gaskets.**

4.) First, corresponding gasket should be placed on the flange (Pic 2)  
- Hydrant is commonly connected to the water supply system with standard N or FF piece.

5.) Place the base of hydrant on the flange and gradually fasten the bolts alternately (Pic 5). It is obligatory to place the certain washers to prevent damage to the plasticized surface.

### Hydrant testing

1.) After montage all bolt (Pic 4) and hydrant close down connect hose check out are all tighten.

2.) Put installation under pressure.

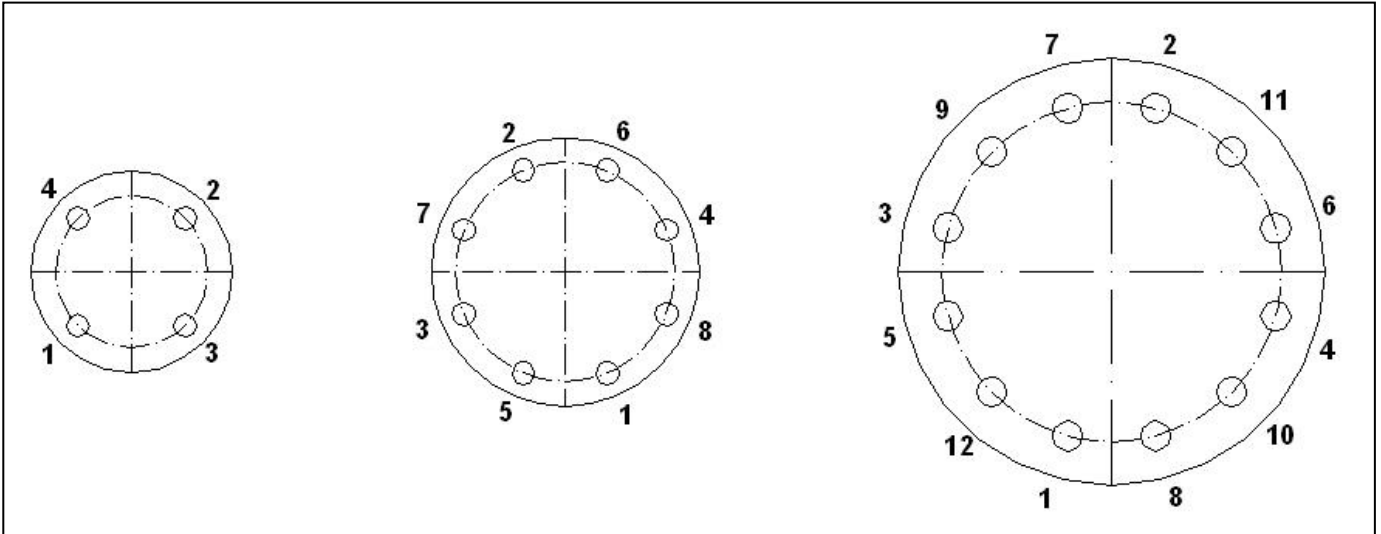
3.) All by procedure (Page 6 - Maintenance)

4.) After testing hydrant close down.

**Note:** Montage of the Above ground hydrant could be made by 3 qualified persons for installation of fittings.



**Tightening flange connections**



Pic 5. Scedule of tightening flange connections

Recommendation:

<b>Nominal diameter DN</b>	<b>40 - 65</b>	<b>80 - 200</b>	<b>80 - 150</b>	<b>250 - 300</b>	<b>200 - 300</b>
<b>Nominal pressure NP</b>	<b>10/16</b>	<b>10</b>	<b>16</b>	<b>10</b>	<b>16</b>
<b>Tightening torque Nm*</b>	<b>30</b>	<b>60</b>		<b>80</b>	

**Table 2. Tightening flange connections on hydrant base**

\* - Torque tightehing measured by torque key



**In hydrant installation keep attention that do not cover, drainage with cement or solid body it will disable drainage function.**

**Pic 6.**



## Hydrant Demontage



**Pic 7.**



**Pic 8.**

### Hydrant Demontage

- 1.) During uninstalling of the hydrant the water supply system should not be under pressure.
- 2.) Before uninstalling of the hydrant from the water supply system check out if the hydrant is closed. Hydrant cap/wheel is turned 360°, to the right clockwise for closing, to the left contraclockwise for opening.  
  
- **During closing and opening of the hydrant the standard wrench for opening the hydrant is used. Extension bars should not be used to prevent damage to the hydrant gaskets.**
- 3.) Gradually release the bolts clockwise, while the upper part of the hydrant should be hold (Pic 7).
- 4.) Remove old gasket (Pic 8).

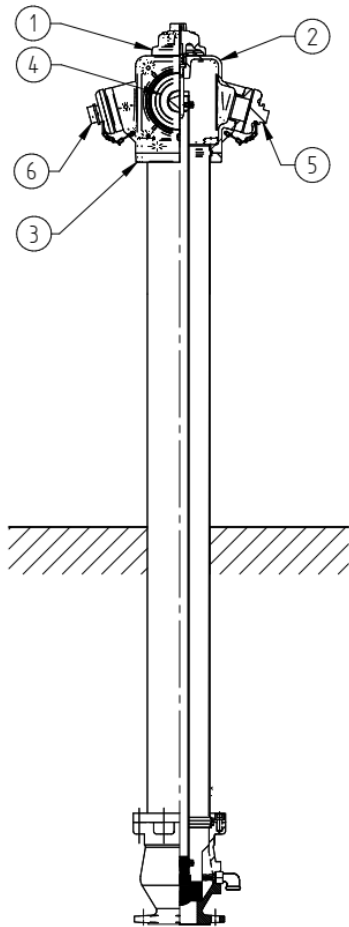
### Spare parts

During servicing, it is necessary to contact technical department Valman doo for spare parts or any additional technical detail or instructions.



## **Maintenance**

Hydrant do not require special maintenance, preventive checks carried out every 3 months:



**1.)** Visually check the cap (1), head (2), head coupling (3), connection couplings (4, 5, 6) and pipe of the hydrant for eventual physical damage during exploitation.

**2.)** Open the plug of the couplings (4 or 5 or 6), connect hose.

**3.)** Open the hydrant to the maximum by turning the cap (1) counter clockwise. When the hydrant is under the pressure of the fluid check if there is flow.

**4.)** Visually check all above ground parts that there are not leaking on hydrants parts.

**5.)** Close the hydrant by turning the hydrant cap (1) clockwise.

**6.)** Wait for hydrant drainage, disconnect hydrant hose.

**7.)** Wash the Above ground parts of the hydrant with water to remove the dirt from air (smog, dust ...)

**Pic 9.** Above ground non break away hydrant.

### **REMARK: PAY ATTENTION**

**A. PIPELINE / INSTALLATION FOR MOUNTED HYDRANTS MUST BE FLUSHED AND CLEAN - MUST NOT HAVE SOLID FOREIGN OBJECTS (GRAVEL, STONES, CINDERS ...). IF SUCH A BODY IS ON SEAT OF HYDRANT OR PISTON, WHEN CLOSING THERE WILL BE PERMANENT DAMAGE TO RUBBER PISTON AND SEATS AND PREVENT PROPER FUNCTION OF THE HYDRANT, WHICH IS NOT SUSCEPTIBLE RECLAMATION.**

**B. PROHIBITED USE EXTRA TOOL TYPE ROD ON CAP FOR HYDRANT OPENING AND CLOSING, IT CAN LEAD TO EXCESSIVE USE OF FORCE AND DAMAGE THE HYDRANT MECHANISM !!!!**

**C. ALWAYS KEEP HYDRANT ALUMINIUM SOCKET PLUGS FOR CONNECTION CLOSED WHENEVER HYDRANT IS NOT USED TO AVOID DUST AND OUTSIDE WATER INSIDE. KEEP HYDRANT CLOSED IF IT IS NOT IN USAGE.**

