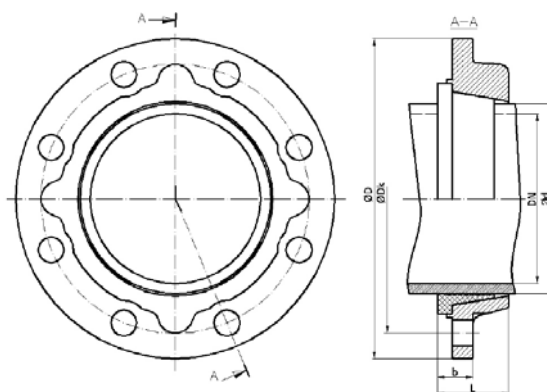


FLANGE ADAPTER FOR DCI PIPES



Material: Ductile cast iron GJS
 Protection: Fluidized bed epoxy powder coating
 Nominal pressure: PN 10/16 bar



Code	DN	Pipe diameter Ød (mm)	ØD (mm)	ØDk (mm)	L (mm)	b (mm)	Bolts for connection		Weight (kg)
							Bolts number (n)	M	
2300703	80	98	200	160	48	25	8	16	3.0
		104					8	16	
2300704	100	118	220	180	50	22	8	16	4.0
		126					8	16	
2300706	150	170	285	240	65	30	8	20	6.7
2300707	200	222	340	295	78	26	8	20	9.5
2300708	250	274	395	350	80	30	12	24	11.0
2300709	300	326	445	400	83	30	12	24	17.0
2300710	350	378	505	460	100	35	16	24	28.0
2300711	400	429	565	515	105	35	16	24	39.0

Technical data:
 Easy installation. Installation is possible in all weather conditions.