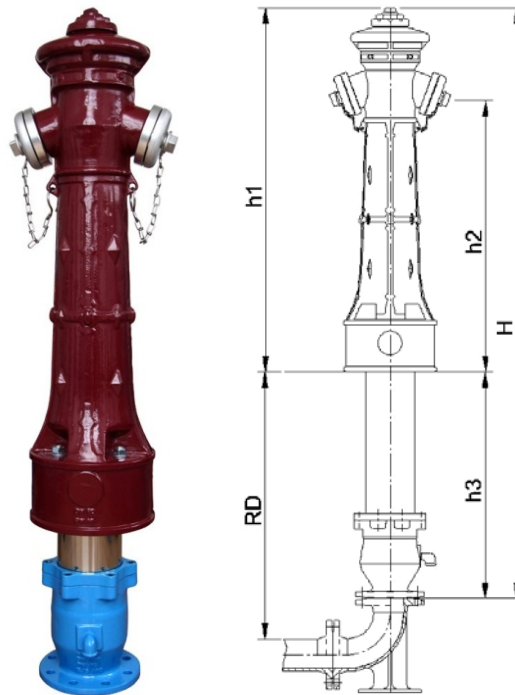


ABOVE GROUND HYDRANT TYPE OLD TOWN



Material: Ductile cast iron GJS / Stainless steel
 Protection: Fluidized bed epoxy powder coating
 Radni pritisak: PN 10/16 bar



Code	DN	RD	Sockets			Hydrant body			
			A	B	C	H (mm)	h1 (mm)	h2 (mm)	h3 (mm)
2500104	80	1000	-	2	-	1945	1065	790	880
2500105		1250	-	2	-	2195			
2500106		1500	-	2	-	2445			

Technical data:

Above ground hydrant DN 80 with outlet sockets 2B.

Above ground hydrant in standard version has: wedge of ductile cast iron GJS complete rubberized, with automatic inlet-outlet air valve. Drain off system is automatic after every usage, wedge is so design according to seat of hydrant, so that provide that flow of fluid is in linear function.

Head cover is made according international standards which enable usage of standard operating keys for hydrants. According request of customers, we deliver hydrants with safety couplings (HAWLE couplings).