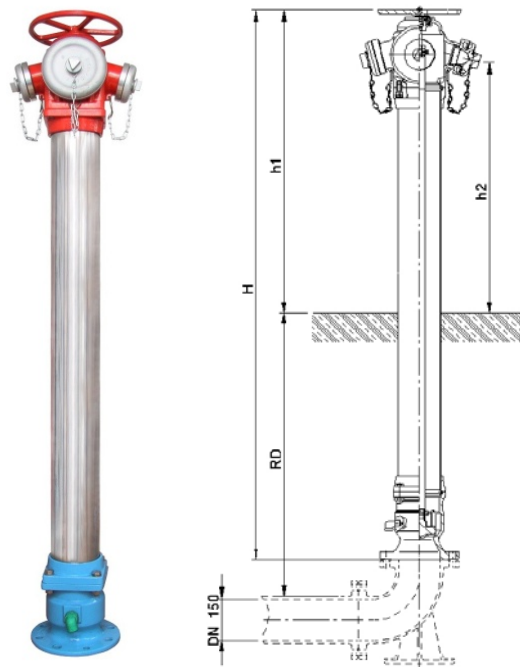


## ABOVE GROUND HYDRANT TYPE NON BREAK AWAY DN 150



Material: Ductile cast iron GJS / Stainless Steel  
Protection: Fluidized bed epoxy powder coating  
Nominal pressure: PN 10/16 bar



Code	DN	RD	Sockets			Hydrant body			Weight (kg)
			A	B	C	H (mm)	h1 (mm)	h2 (mm)	
2501701	150	1000	1	2	-	1980	1120	930	71
2501704			-	2	-				
2501702		1250	1	2	-	2230			
2501705			-	2	-				
2501703		1500	1	2	-	2480			
2501706			-	2	-				

### Technical data:

Above ground hydrant in standard version has: wedge of ductile cast iron GJS complete rubberized, with automatic inlet-outlet air valve. Drain off system is automatic after every usage, wedge is so design according to seat of hydrant, so that provide that flow of fluid is in linear function.

Head cover is made according international standards which enable usage of standard operating keys for hydrants or operating with hydrant wheel.

According request of customers, we deliver hydrants with safety couplings (HAWLE couplings).