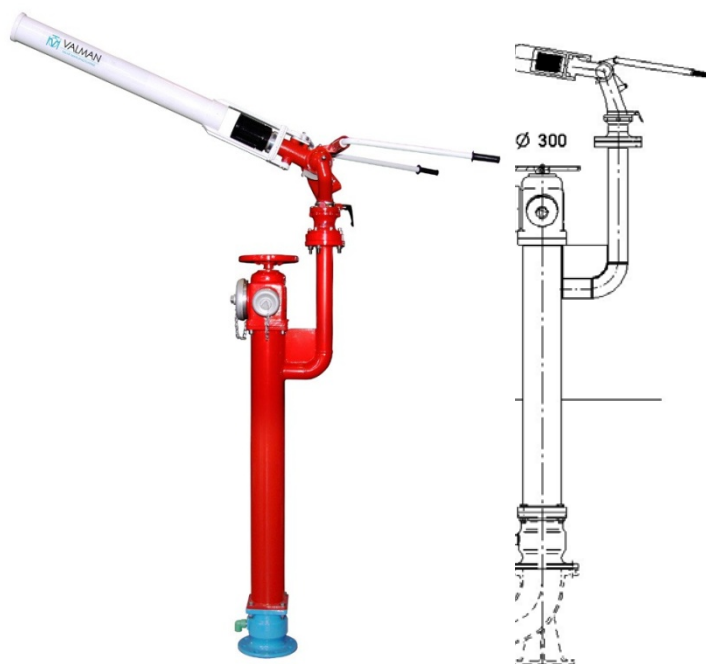


ABOVE GROUND HYDRANT TYPE

BREAK AWAY DN 150



Material: Ductile cast iron GJS / Steel
 Protection: Fluidized bed epoxy powder coating
 Nominal pressure: PN 10/16 bar



Code	DN	RD	Sockets			Hydrant body
			A	B	C	H (mm)
2512001	150	1000	1	2	-	1980
2512002	150	1250	1	2	-	2230
2512003	150	1500	1	2	-	2480

H – other dimensions by request

Technical data:

Above ground hydrant in standard version has: wedge from ductile cast iron GJS complete rubberized, with automatic inlet-outlet air valve. Drain off system is automatic after every usage, wedge is so design according to seat of hydrant, so that provide flow of fluid in linear function. Head cover is made according international standards which enable usage of standard operating keys for hydrants or variant with wheel on operating mechanism. The monitor can use water or a mixture of water and foam. The monitor has a connector for monitor by request of the customer.