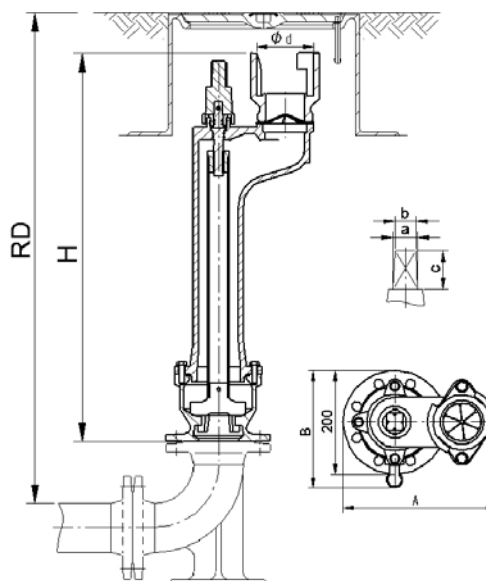


UNDERGROUND HYDRANT DN 80



Material: Ductile cast iron GJS
 Protection: Fluidized bed epoxy powder coating
 Nominal pressure: NP 10



Code	DN	RD (mm)	Dimension (mm)							Weight (kg)
			H	A	B	ød	Upper square			
							a	b	c	
2501601	80	750	500	295	230	110	27	32	50	24
2501602	80	1000	750							29
2501603	80	1250	1000							35

Technical data:

Underground hydrant in standard version has: wedge of ductile cast iron GJS complete rubberized, drain off system is automatic after every usage, wedge is so design according to seat of hydrant, so that provide flow of fluid in linear function. Claw connection is made according national standards which enable usage for standard underground hydrant outlet extension.