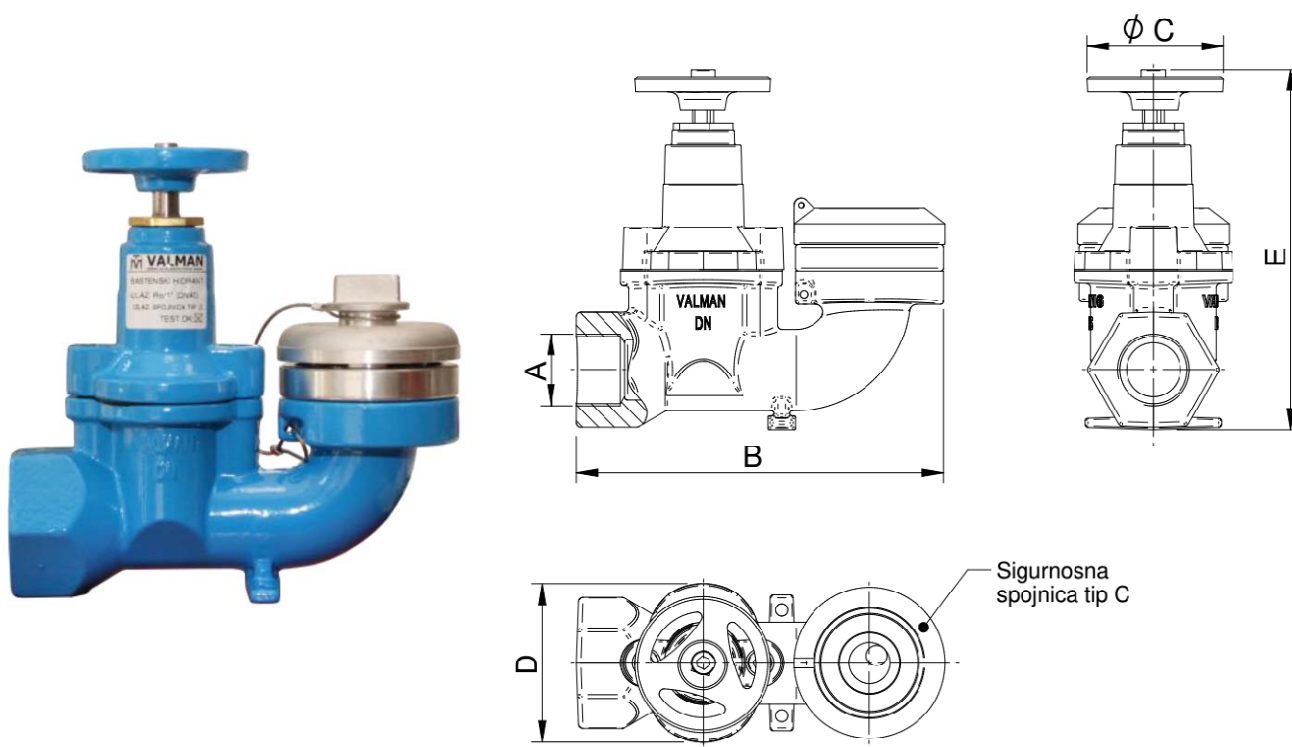


GARDEN HYDRANT WITH HAND WHEEL AND COUPLING TYPE "C"



Material: Ductile cast iron GJS
 Protection: Fluidized bed epoxy coating
 Nominal pressure: NP 10 bar



Code	DN	Dimension (mm)				
		A	B	ØC	D	E
2500101	15	1/2"	245	90	105	240
2500102	20	3/4"				
2500103	25	1"				
2500108	32	5/4"				
2500107	40	6/4"				
2500109	50	2"				

Technical data:

On the valve output is C coupling type storz. On customer request C coupling can be safety protection coupling which can be open only with a special key.

The spindle is made from stainless steel, a multi stage seal with O-rings, the sealing wedge is vulcanized with EPDM rubber and the housing with its cylindrical shape prevents the retention of mechanical impurities in it.