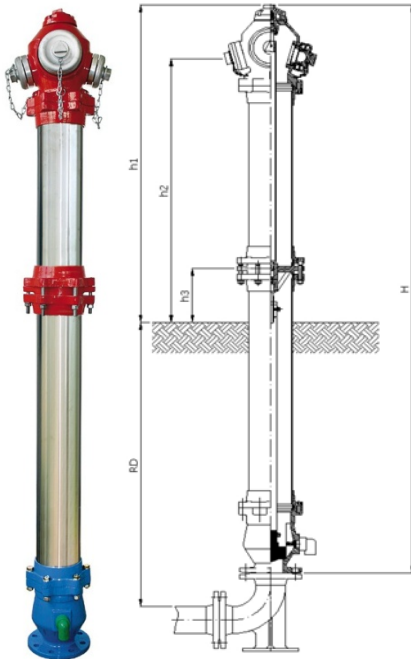


ABOVE GROUND HYDRANT TYPE BREAK



Material: Ductile cast iron GJS / Stainless Steel
 Protection: Fluidized bed epoxy powder coating
 Nominal pressure: PN 10/16 bar



Code	DN	RD	Spojnice			Hydrant body			Hydrant body (kg)
			A	B	C	H (mm)	h1 (mm)	h2 (mm)	
250000	80	1000	-	1	2	2000	1120	920	55
250400	80		-	2	-				
250030	100		1	2	-				
250111	100		-	2	-				
250000	100		-	1	2				56
250140	80	1250	-	1	2	2250	1120	920	58
250140	80		-	2	-				
250140	100		1	2	-				
250140	100		-	2	-				
250140	100		-	1	2				59
250150	80	1500	-	1	2	2500	1120	920	60
250150	80		-	2	-				
250150	100		1	2	-				
250150	100		-	2	-				
250150	100		-	1	2				61

h3=120 ± 80 mm - installation recommendation for break point.

Technical data:

Above ground hydrant in standard version has: wedge of ductile cast iron GJS complete rubberized, with automatic inlet-outlet air valve. Drain off system is automatic after every usage, wedge is so design according to seat of hydrant, so that provide that flow of fluid is in linear function.

Head cover is made according international standards which enable usage of standard operating keys for hydrants.

According request of customers, we deliver hydrants with safety couplings (HAWLE couplings).