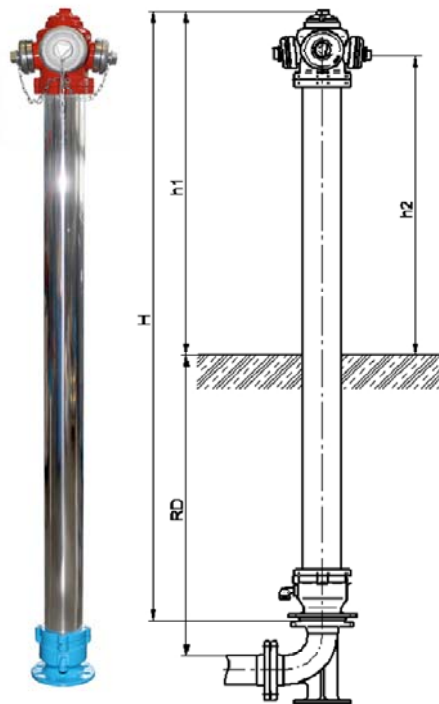


## ABOVE GROUND HYDRANT TYPE NON BREAK AWAY DN80 LC



Material: Ductile cast iron GJS / Stainless Steel  
 Protection: Fluidized bed epoxy powder coating  
 Nominal pressure: PN 10/16 bar



Code	DN	RD	Sockets			Hydrant body			Weight (kg)
			A	B	C	H (mm)	h1 (mm)	h2 (mm)	
2562000	80	750	-	2	-	1575	945	805	31
2560000			-	1	2				
2562001		1000	-	2	-	1825			33
2560001			-	1	2				
2562002		1250	-	2	-	2075			36
2560002			-	1	2				
2562003		1500	-	2	-	2325			38
2560003			-	1	2				

**Technical data:**

Above ground hydrant in standard version has: wedge of ductile cast iron GJS complete rubberized, with automatic inlet-outlet air valve. Drain off system is automatic after every usage, wedge is so design according to seat of hydrant, so that provide that flow of fluid is in linear function. Head cover is made according international standards which enable usage of standard operating keys for hydrants. According request of customers, we deliver hydrants with safety couplings (HAWLE couplings).