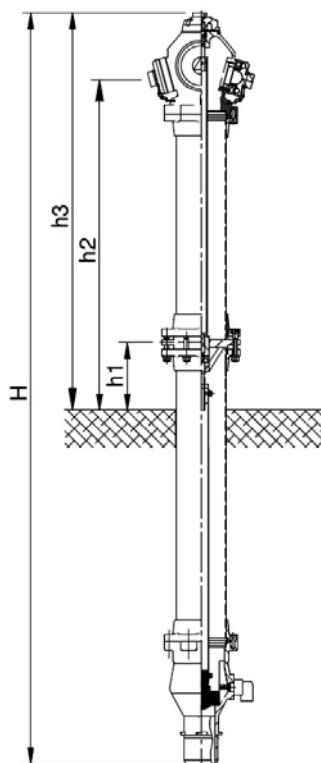


## ABOVE GROUND BAIO HYDRANT TYPE BREAK AWAY



Material: Ductile cast iron GJS / Stainless Steel  
 Protection: Fluidized bed epoxy powder coating  
 Nominal pressure: PN 10/16 bar



Code	DN	RD	Sockets			Hydrant body			Weight (kg)
			A	B	C	H (mm)	h2 (mm)	h3 (mm)	
2506001	80	1000	-	1	2	2010	810	1000	45
	80	1000	-	2	-				
2506002	80	1250	-	1	2	2260	810	1000	48
	80	1250	-	2	-				
2506003	80	1500	-	1	2	2510	810	1000	50
	80	1500	-	2	-				

$h3=120 \pm 80$  mm - installation recommendation for break point.

**Technical data:**

Above ground hydrant in standard version has: wedge of ductile cast iron GJS complete rubberized, with automatic inlet-outlet air valve. Drain off system is automatic after every usage, wedge is so design according to seat of hydrant, so that provide that flow of fluid is in linear function.

Head cover is made according international standards which enable usage of standard operating keys for hydrants. According request of customers, we deliver hydrants with safety couplings (HAWLE couplings). Connection on main pipeline is achieved with BAIO base.