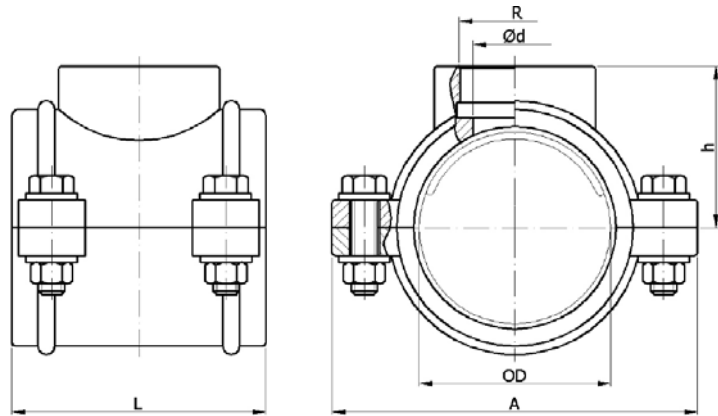


# DRILLING SADDLES WITH FEMALE THREAD OUTLET FOR PE/PVC PIPES



Material: Ductile cast iron GJS  
 Protection: Fluidized bed epoxy powder coating  
 Nominal pressure: PN 10/16 bar



| Code    | Pipe diameter (OD) | R    | A (mm) | h (mm) | L (mm) | ød (mm) | Weight(kg) |
|---------|--------------------|------|--------|--------|--------|---------|------------|
| 2200201 | 63                 | ¾"   | 133    | 60     | 94     | -       | 3.1        |
| 2200301 |                    | 1"   |        |        |        |         | 3          |
| 2201101 |                    | 1 ¼" |        |        |        |         | 2.9        |
| 2200401 |                    | 1 ½" |        |        |        |         | 2.8        |
| 2200501 |                    | 2"   |        |        |        |         | 2.6        |
| 2200203 | 90                 | ¾"   | 168    | 74     | 118    | -       | 4.7        |
| 2200303 |                    | 1"   |        |        |        |         | 4.6        |
| 2201103 |                    | 1 ¼" |        |        |        |         | 4.5        |
| 2200403 |                    | 1 ½" |        |        |        |         | 4.4        |
| 2200503 |                    | 2"   |        |        |        |         | 4.2        |
| 2200204 | 110                | ¾"   | 192    | 84     | 120    | -       | 5.2        |
| 2200304 |                    | 1"   |        |        |        |         | 5.1        |
| 2201104 |                    | 1 ¼" |        |        |        |         | 5.0        |
| 2200404 |                    | 1 ½" |        |        |        |         | 4.9        |
| 2200504 |                    | 2"   |        |        |        |         | 4.7        |
| 2200207 | 160                | ¾"   | 256    | 104    | 123    | -       | 6.6        |
| 2200307 |                    | 1"   |        |        |        |         | 6.5        |
| 2201107 |                    | 1 ¼" |        |        |        |         | 6.4        |
| 2200407 |                    | 1 ½" |        |        |        |         | 6.3        |
| 2200507 |                    | 2"   |        |        |        |         | 6.1        |

**Technical data:**

Drilling saddles with female thread outlet is used for water supply in individual houses connection in waterworks pipelines. The drilling saddle features outstanding sealing, easy maintenance and long life. It is used also for mounting PE and PVC pipes. Dimensions of drilling saddles are calibrated to the outside pipe diameter of PE and PVC pipes. Sealing of drilling saddle made from EPDM (NBR) rubber with 3 to 4 o-ring (depends of pipe diameter). All drilling saddles are by EN standards with 4 bolts which connect both drilling saddle half around the pipe.