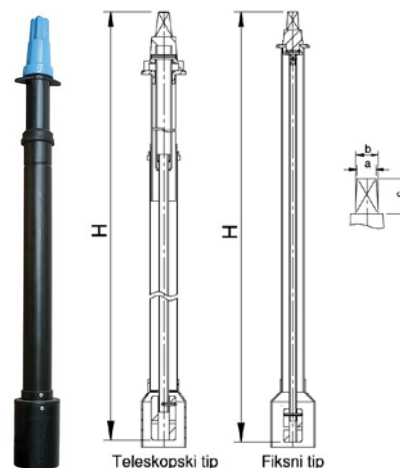


TELESCOPIC AND FIXED SPINDLES FOR GATE VALVES



Material: Ductile cast iron GJS, steel and PP
 Protection: EWS epoxy powder coating and zinc protecton



Dimension for upper square
 a x b x c – 27 x 32 x 50 mm

Code	Telescopic spindle type		
	DN	Standardn lenght H (m)	Težine(kg)
2700101	50	H = 0.7 – 1.1	3.5
2700301		H = 1.1 – 2.0	6.0
2700102	80	H = 0.7 – 1.1	4
2700302		H = 1.1 – 2.0	6.5
2700103	100	H = 0.7 – 1.1	4
2700303		H = 1.1 – 2.0	6.5
2700103	125	H = 0.7 – 1.1	4
2700303		H = 1.1 – 2.0	6.5
2700103	150	H = 0.7 – 1.1	4
2700303		H = 1.1 – 2.0	7
2700104	200	H = 0.7 – 1.1	4
2700104		H = 1.1 – 2.0	7
2700105	250	H = 0.7 – 1.1	4
2700305		H = 1.1 – 2.0	7.5
2700105	300	H = 0.7 – 1.1	4
2700305		H = 1.1 – 2.0	7.5

Code	Telescopic spindle type		
	DN	Standardn lenghtH	Weight(kg)
2700401	50	1.0	2
2700501		2.0	3.5
2700402	80	1.0	2
2700502		2.0	3.5
2700403	100	1.0	2
2700503		2.0	3.5
2700403	125	1.0	2.5
2700503		2.0	4
2700403	150	1.0	2.5
2700503		2.0	4
2700404	200	1.0	3
2700504		2.0	5
2700405	250	1.0	3
2700505		2.0	5
2700405	300	1.0	3
2700505		2.0	5

Technical data:

The telescopic mounting kit allows alignment - adjustment with the level of the terrain. Alignment - adjustment allows telescopic tubes with telescopic protective plastic tubes. All oscillations are canceled with telescopic amortization, which prevents damage to the pipes and valves. On the upper side of the telescopic assembly a round street cap is placed. Fixed spindles are needed at places where adjustments are not necessary. At the request of the customer, we also produce the other required lengths H or the installation dimensions of RD, where is the RD length from the ground to the pipeline.