

## SQUARE STREET CAP FOR UNDER GROUND HYDRANT



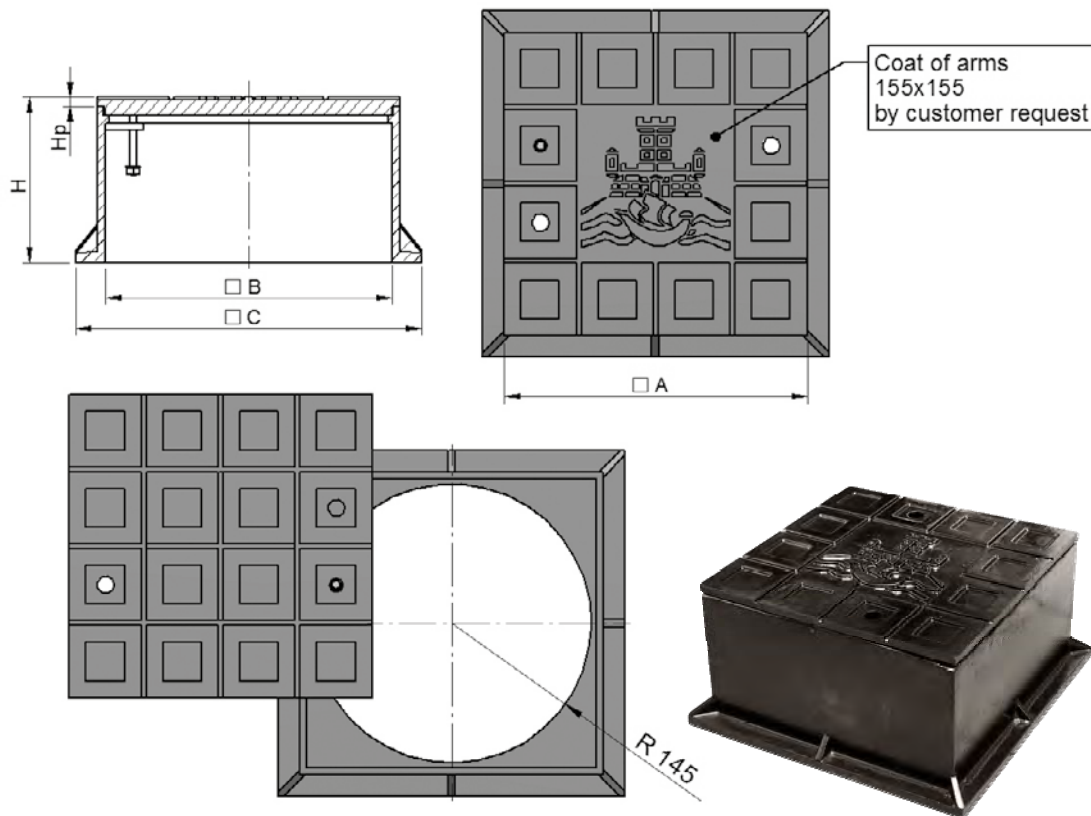
Material: GJS-500

Load: D400 class to EN-124

Installation area: roads, streets, pedestrian zones, park areas for all kind of vehicles

Protection: Non-toxic, inflammable and water-soluble black paint

Surface: Slippery proof GJS cover with holes for easy opening



| Code    | Type    | Class | □ A (mm) | □ B (mm) | □ C (mm) | H (mm) | Hp (mm) | Weight (kg) |
|---------|---------|-------|----------|----------|----------|--------|---------|-------------|
| 2900021 | 315x315 | D400  | 315      | 300      | 360      | 170    | 10      | 22,5        |