

## STREET CAP FOR SERVICE VALVE AND HOUSE CONNECTION IN PEDESTRIAN ZONE



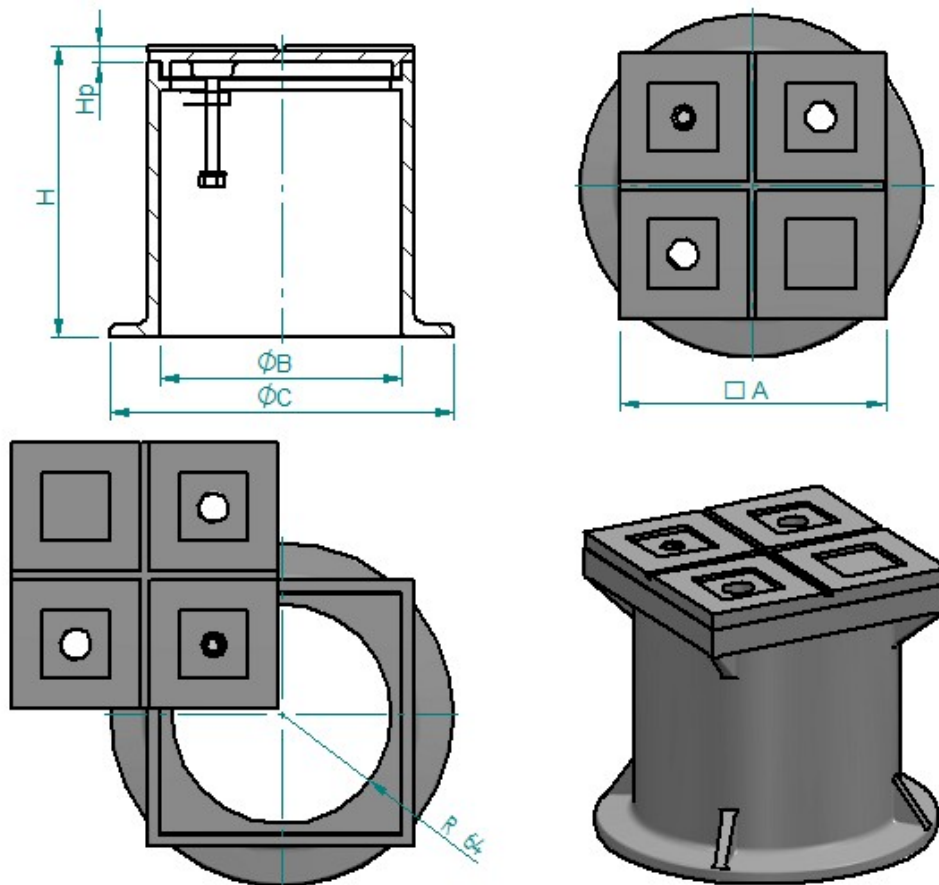
Material: GJS-500

Load: D400 class to EN-124

Installation area: roads, streets, pedestrian zones, park areas for all kind of vehicles

Protection: Non-toxic, inflammable and water-soluble black paint

Surface: Slippery proof GJS cover with holes for easy opening



Code	Type	Class	□ A (mm)	∅ B (mm)	∅ C (mm)	H (mm)	Hp (mm)	Weight (kg)
2900022	155x155	D400	155	140	200	170	10	6,8