

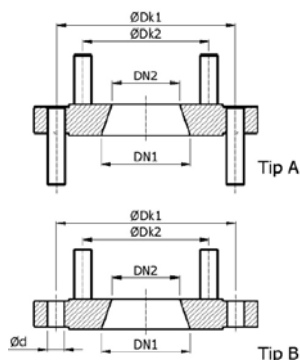
## TRANSITION FLANGES



Material: Steel

Protection: Fluidized bed epoxy powder coating

Nominal pressure: PN 10/16 bar



Code	DN	Tip	ØDk1	broj	Bolts	Ød	ØDk2	broj	Bolts	Weight(kg)
3600902	65/ 50	A	145	4	M 16 x 70	—	125	4	M 16 x 70	2.9
3600903	80/ 40	A	160	8	M 16 x 70	—	110	4	M 16 x 70	3.7
3600903	80/ 50	A	160	8	M 16 x 70	—	125	4	M 16 x 70	3.8
3600903	80/ 65	A	160	8	M 16 x 70	—	145	4	M 16 x 70	3.8
3600903	80/ 80	A	160	160	M 16 x 70	—	160	8	M 16 x 70	3.8
3600904	100/ 40	A	180	8	M 16 x 70	—	110	4	M 16 x 70	4.2
3600904	100/ 50	A	180	8	M 16 x 70	—	125	4	M 16 x 70	4.2
3600904	100/ 65	A	180	8	M 16 x 70	—	145	4	M 16 x 70	4.2
3600904	100/ 80	A	180	8	M 16 x 70	—	160	4	M 16 x 70	4.2
3600912	125/ 40	B	210	8	—	19	110	4	M 16 x 70	5.6
3600912	125/ 65	A	210	8	M 16x 70	—	145	4	M 16 x 70	5.7
3600912	125/ 80	A	210	8	M 16 x 70	—	160	8	M 16 x 70	5.7
3600912	125/100	A	210	8	M 16 x 70	—	180	8	M 16 x 70	5.7
3600905	150/ 50	B	240	8	—	23	125	4	M 16 x 70	6.7
3600905	150/ 65	B	240	8	—	23	145	4	M 16 x 70	6.7
3600905	150/ 80	B	240	8	—	23	160	8	M 16 x 70	6.7
3600905	150/100	A	240	8	M 20 x 70	—	180	8	M 16 x 70	6.8
3600905	150/125	A	240	8	M 20 x 70	—	210	8	M 16 x 70	6.8
3600906	200/ 50	B	295	8	—	23	125	4	M 16 x 70	9.2
3600906	200/ 65	B	295	8	—	23	145	4	M 16 x 70	9.2
3600906	200/ 80	B	295	8	—	23	160	8	M 16 x 70	9.2
3600906	200/ 80	B	295	12	—	23	160	8	M 16 x 70	9.2
3600906	200/100	B	295	8	—	23	180	8	M 16 x 70	9.3
3600906	200/100	B	295	12	—	23	180	8	M 16 x 70	9.3
3600906	200/125	B	295	8	—	23	210	8	M 16 x 70	9.3
3600906	200/150	A	295	8	M 20 x 70	—	240	8	M 20 x 70	9.4
3600906	200/150	A	295	12	M 20 x 70	—	240	8	M 20 x 70	9.4

Remark: We produce in larger dimensions by customer's request.