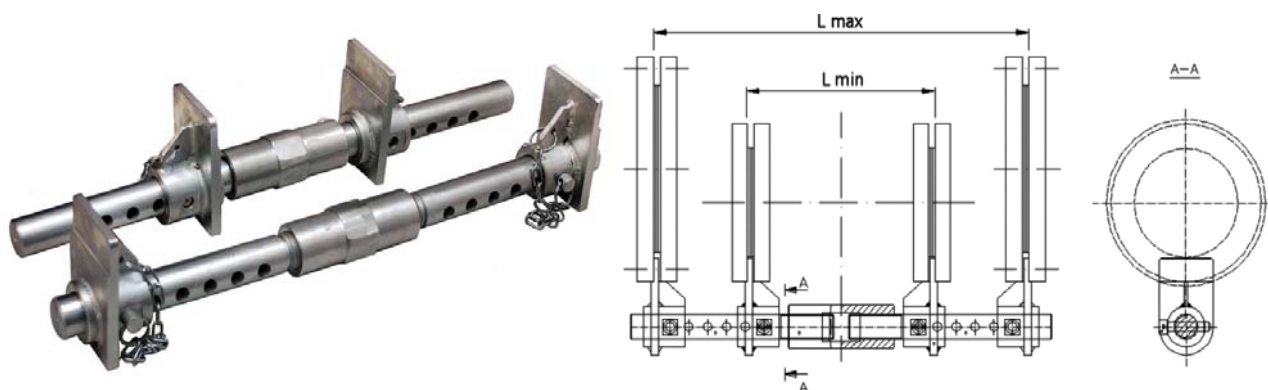


TOOL FOR REINSTALATION OF ARMATURES FROM PIPELINE SYSTEM



Material: Steel
Protection: Zinc protection



Code	Model	Installation width of the elements to be reinstalated Lmin ≈ Lmax (mm)	Tool pieces in complete (pcs)	Weight (kg)
2800001	Arac 1	150 ÷ 500	2	5,5
2800002	Arac 2	500 ÷ 1000	2	12

Technical data:

Application: For replacing or installing valves, water meters and fittings.

Function: enables easy and safe operation when installing or replacing reinforcement. The OK 46 key is used to manipulate the tool.