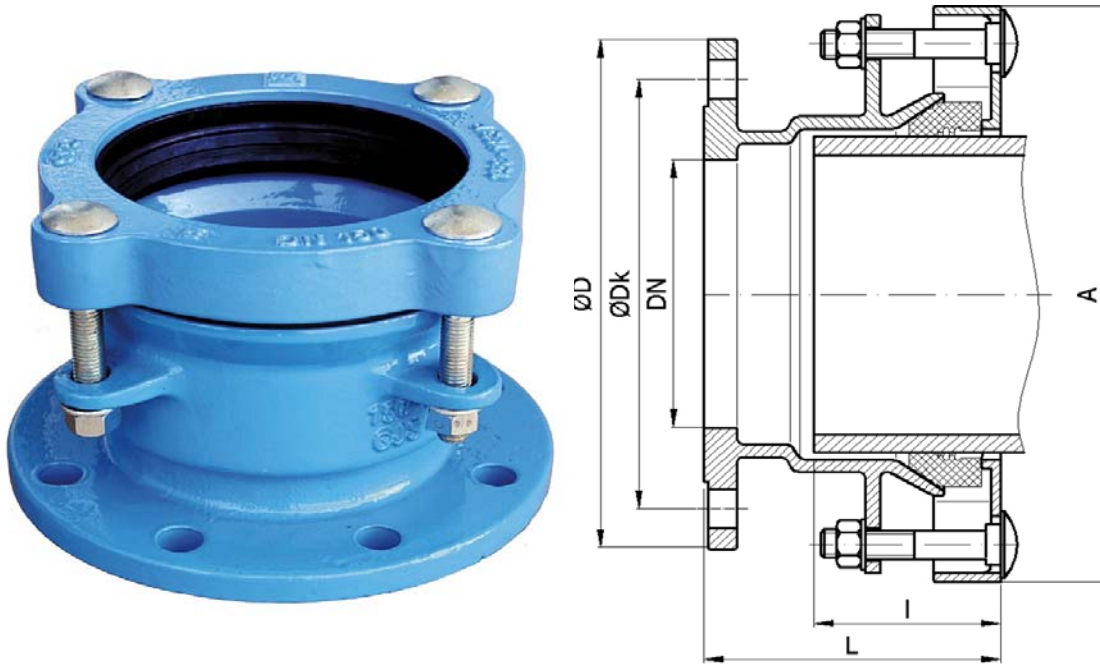


UNIVERSAL SOCKETS TYPE E



Material: Till DN300 Ductile cast iron GJS over DN300 steel construction
 Protection: Fluidized bed epoxy powder coating
 Nominal pressure: PN 10/16 bar



Code	DN	Range outside pipe diameter (mm)		Material		Dimension (mm)					Bolt connection		Weight (kg)
		Min	Max	GJS 400	Steel	ØD	ØDk	A	L	l	n	M	
2300101	50	57	76	X		150	125	160	140	100	4	M16	4.4
2300103	80	88	107	X		200	160	200	160	100	8	M16	7.1
2300104	100	107	128	X		220	180	225	170	110	8	M16	8.3
2300106	150	158	186	X		285	240	300	180	120	8	M20	12.9
2300107	200A	198	225	X		340	295	390	260	160	8	M20	34
2300108	200B	226	252	X		340	295	390	260	160	8	M20	33.5
2300111	250A	244	276	X		395	350	445	245	170	12	M20	33.5
2300109	250B	266	300	X		395	350	445	245	170	12	M20	32.2
2300110	300	315	349	X		445	400	495	245	170	12	M20	42.7

Code	DN	Range outside pipe diameter		Material		Dimension (mm)					Bolt connection		Weight (kg)
		Min	Max	GJS 400	Steel	ØD	ØDk	A	L	l	n	M	
3300310	350	355	378		X	505	460	530	240	200	16	M20	55
3300810	350	384	408		X	505	460	550	320	200	16	M20	67
3300810A	350	408	430		X	505	460	570	320	200	16	M20	69
3300311	400	400	429		X	565	515	535	240	200	16	M24	64
3300811	400	438	466		X	565	515	610	320	200	16	M24	79
3300811A	400	466	490		X	565	515	630	320	200	16	M24	83
3300318	450	450	480		X	615	565	620	240	200	20	M20	70
3300818	450	492	523		X	615	565	665	320	200	20	M24	87
3300818A	450	523	551		X	615	565	685	320	200	20	M24	90
3300312	500	500	532		X	670	620	660	390	350	20	M24	83
3300812	500	546	579		X	670	620	705	490	350	20	M24	98
3300812A	500	579	611		X	670	620	740	490	350	20	M24	108
3300313	600	610	635		X	780	725	770	390	350	20	M27	101
3300813	600	660	698		X	780	725	830	490	350	20	M27	127
3300813A	600	698	726		X	780	725	860	490	350	20	M27	132
3300314	700	710	738		X	895	840	870	390	350	24	M27	134
3300814	700	786	806		X	895	840	940	490	350	24	M27	172
3300814A	700	806	838		X	895	840	970	490	350	24	M27	180
3300315	800	800	830		X	1015	950	970	390	350	24	M30	170
3300315A	800	813	842		X	1015	950	980	390	350	24	M30	175
3300815	800	896	922		X	1015	950	1060	490	350	24	M30	205
3300815A	800	922	958		X	1015	950	1100	490	350	24	M30	214
3300316	900	900	930		X	1115	1050	1050	390	350	28	M30	200
3300316A	900	914	945		X	1115	1050	1080	390	350	28	M30	210
3300816	900	980	1008		X	1115	1050	1150	500	350	28	M30	255
3300816A	900	1008	1036		X	1115	1050	1170	500	350	28	M30	262
3300816B	900	1036	1078		X	1115	1050	1220	500	350	28	M30	271
3300317	1000	1000	1030		X	1280	1160	1160	400	350	28	M33	220
3300317A	1000	1016	1048		X	1280	1160	1190	400	350	28	M33	228
3300817	1000	1090	1126		X	1230	1160	1260	500	350	28	M33	272
3300817A	1000	1026	1152		X	1230	1160	1290	500	350	28	M33	280
3300817B	1000	1152	1182		X	1230	1160	1320	500	350	28	M33	291
3300817C	1000	1182	1200		X	1230	1160	1340	500	350	28	M33	305

Technical data:

Universal sockets due to their wide range of joint pipes are suitable for repairing on damaged existing pipeline. The E universal coupling is designed for flange on one side, and on the other side, the tube is directly inserted. For PE / PVC pipes, we recommend the performance of universal sockets with a tightening ring - a restrain, which can be ordered for other pipe types, but not necessary.

With the restrain system, there is high safety to the extraction of PE / PVC pipes from universal sockets that can be caused by hydraulic shock, low outside temperatures in which plastic tubes are collected, lack of telescopic MDK pieces or compensators on long pipelines, swaying terrain, etc.