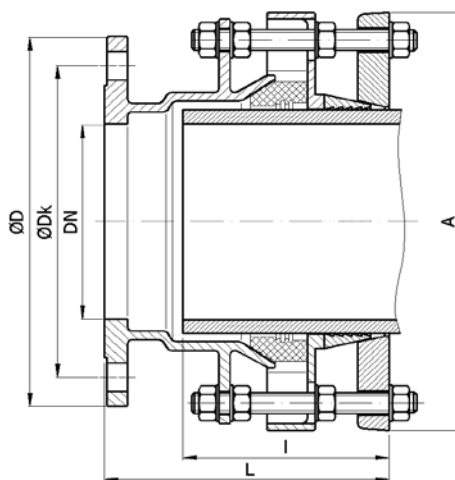


UNIVERSAL SOCKETS TYPE E - RESTRAIN



Material: Till DN300 Ductile cast iron GJS over DN300 steel construction
 Protection: Fluidized bed epoxy powder coating
 Nominal pressure: PN 10/16 bar



Code	DN	Range outside pipe diameter			Material		Dimension (mm)					Bolt connection		Weight (kg)
		Min	Max	OD cevi	GJS 400	Steel	ØD	ØDk	A	L	I	n	M	
2300301	50	57	76	63	X		150	125	160	170	130	4	M16	5,3
2300303	80	88	107	90	X		200	160	200	200	140	8	M16	9,5
2300304	100	107	128	110	X		220	180	225	215	155	8	M16	9,8
2300306	150	158	186	160	X		285	240	300	230	170	8	M20	18,5
2300307	200A	198	225	200	X		340	295	390	310	210	8	M20	39,5
2300308	200B	226	252	225	X		340	295	390	310	210	8	M20	39
2300309	250A	244	276	250	X		395	350	445	290	215	12	M20	44
2300312	250B	266	300	280	X		395	350	445	290	215	12	M20	37.2
2300310	300	315	349	315	X		445	400	495	290	215	12	M20	48.7

Code	DN	Range outside pipe diameter (mm)			Material		Dimension (mm)					Bolt		Weight (kg)
		Min	Max	OD cevi	GJS 400	Steel	ØD	ØDk	A	L	l	n	M	
3301010	350	408	430	355		X	505	460	570	370	250	16	M20	65
3301011	400	400	429	400		X	565	515	535	290	250	16	M24	79
3300616	450	450	480	450		x	615	565	620	290	250	20	M24	86
3301012	500	500	532	500		X	670	620	660	440	400	20	M24	98
3301013	600	610	635	630		X	780	725	770	440	400	20	M27	123
3301014	700	710	738	710		X	895	840	870	440	400	24	M27	162
3301015	800	800	830	800		X	1015	950	970	540	400	24	M30	207
3301016	900	900	930	900		X	1115	1050	1050	440	400	28	M30	248
3301017	1000	1000	1030	1000		X	1280	1160	1160	450	400	28	M33	264

Technical data:

The restrain system is effective independently of the sealing of the pipe, which is secured by a tightening ring. Universal sockets due to their wide range of pipes are suitable for repairing or damaging an existing pipeline. The universal coupling type E is designed for flange on one side, and on the other side, the tube is directly inserted. For PE / PVC pipes, we recommend the performance of universal sockets with a tightening ring - a restrain, which can be ordered for other pipe types, but not necessary.

With the restrain system, there is high safety to the extraction of PE / PVC pipes from universal sockets that can be caused by hydraulic shock, low outside temperatures in which plastic tubes are collected, lack of telescopic MDK pieces or compensators on long pipelines, swaying terrain, etc.

Each universal connector of non-removable type - restrain, can also be used for PE / PVC pipes, and by removing the clamping ring and lid, it is possible to apply in the complete coupling range. For example: Universal socket DN 80 non-detachable type - restrain has application on PE and PVC pipes OD 90, and if the clamping ring and lid are removed, the same universal coupling can be applied on all types of pipes of external diameter from 88 to 107 mm.