

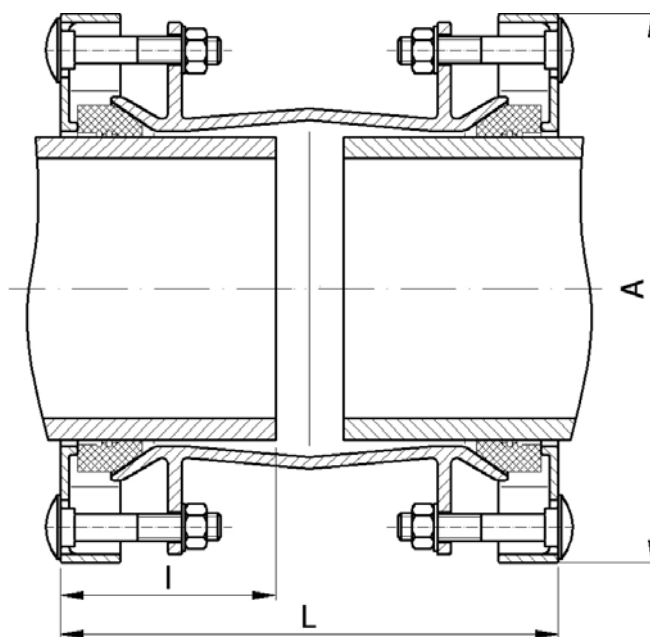
UNIVERSAL SOCKETS TYPE U



Material: Till DN300 Ductile cast iron GJS over DN300 steel construction

Protection: Fluidized bed epoxy powder coating

Nominal pressure: PN 10/16 bar



Code	DN	Range outside pipe diameter		Material		Dimension (mm)			Bolt connection		Weight (kg)
		Min	Max	GJS 400	Steel	A	L	l	n	M	
2300201	50	57	76	x		160	235	100	4x2	M12	6.5
2300203	80	88	107	x		200	280	100	4x2	M12	8.5
2300204	100	107	130	x		225	290	115	4x2	M12	9.5
2300206	150	158	183	x		300	290	115	4x2	M16	14.9
2300207	200A	198	225	x		390	420	140	4x2	M16	32.0
2300208	200B	226	252	x		390	420	140	4x2	M16	32.0
2300211	250A	244	276	x		445	350	160	6x2	M16	45.0
2300209	250B	266	300	x		445	350	160	6x2	M16	41.6
2300210	300	315	349	x		495	350	160	6x2	M16	45.5

Code	DN	Range outside pipe diameter		Material		Dimension			Bolt connection		Weight (kg)
		Min	Max	GJS 400	Steel	A	L	l	n	M	
3300410	350	355	378		X	530	400	175	8X2	M16	75
3300910	350	384	408		X	550	400	175	8X2	M16	78
3300910A	350	408	430		X	570	400	175	8X2	M16	83
3300411	400	400	429		X	535	400	175	8X2	M16	83
3300911	400	438	466		X	610	400	175	8X2	M16	91
3300911A	400	466	490		X	630	400	175	8X2	M16	96
3300418	450	450	480		X	620	400	175	10X2	M20	94
3300918	450	492	523		X	665	400	175	10X2	M20	101
3300918A	450	523	551		X	685	400	175	10X2	M20	106
3300412	500	500	532		X	660	400	175	10X2	M20	102
3300912	500	546	579		X	705	400	175	10X2	M20	111
3300912A	500	579	611		X	740	400	175	10X2	M20	117
3300413	600	610	635		X	770	500	225	10X2	M20	121
3300913	600	660	698		X	830	500	225	10X2	M20	134
3300913A	600	698	726		X	860	500	225	10X2	M20	140
3300414	700	710	738		X	870	600	275	12X2	M20	143
3300914	700	786	806		X	940	600	275	12X2	M20	151
3300914A	700	806	838		X	970	600	275	12X2	M20	157
3300415	800	800	830		X	970	700	325	12X2	M20	155
3300915	800	813	842		X	980	700	325	12X2	M20	159
3300915A	800	896	922		X	1060	700	325	12X2	M20	169
3300915B	800	922	958		X	1100	700	325	12X2	M20	175
3300416	900	900	930		X	1050	700	325	16X2	M20	170
3300416A	900	914	945		X	1080	700	325	16X2	M20	173
3300916	900	980	1008		X	1150	700	325	16X2	M20	185
3300916A	900	1008	1036		X	1170	700	325	16X2	M20	190
3300916B	900	1036	1078		X	1220	700	325	16X2	M20	198
3300417	1000	1000	1030		X	1160	700	325	16X2	M20	190
3300417A	1000	1016	1048		X	1190	700	325	16X2	M20	194
3300917	1000	1090	1126		X	1260	700	325	16X2	M20	208
3300917A	1000	1026	1152		X	1290	700	325	16X2	M20	212
3300917B	1000	1152	1182		X	1320	700	325	16X2	M20	218
3300917C	1000	1182	1200		X	1340	700	325	16X2	M20	223

Technical data:

Universal sockets due to their wide range of pipes, are suitable for repairing or damaging the existing pipeline. The universal coupling type U is designed to directly insert the pipe directly from both sides. For PE / PVC pipes, we recommend the performance of universal sockets with a tightening ring - a re- strain, which can be ordered for other pipe types, but not necessary.

With the restrain system, there is high safety to the extraction the PE / PVC pipe extraction from Universal joints that can be caused by hydraulic shock, low outdoor temperatures in which plastic tubes are collected, lack of telescopic MDK pieces or compensators on long pipelines , swaying terrain etc ...