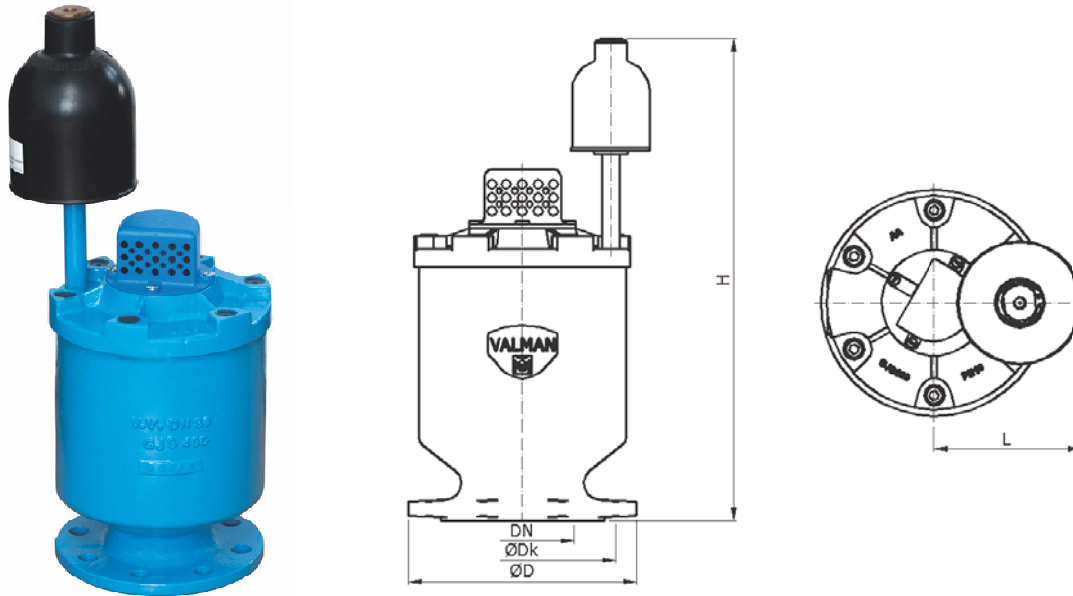


# AIR VALVES



Material: Until DN 100 Ductile cast iron GJS over DN 100 steel  
 Protection: Fluidized bed epoxy powder coating  
 Nominal pressure: PN 10/16 bar



Code	DN	Function	ØD (mm)	ØDk (mm)	H (mm)	L (mm)	Bolts for connection		PN
							Bolts number	M	
2100001	50	Single orifice	150	125	315	-	4	16	10/16
2100101		Double orifice			515	120			10/16
2100003	80	Single orifice	200	160	345	-	8	16	10/16
2100103		Double orifice			545	145			10/16
2100004	100	Single orifice	220	180	345	-	8	16	10/16
2100104		Double orifice			545	145			10/16
2100106	150	Double orifice	285	240	665	170	8	20	10/16
2100107	200	Double orifice	340	295	730	190	8	20	10/16
							12	20	
2100108	250	Double orifice	405	350	945	270	12	20	10
				355			12	24	16
2100109	300	Double orifice	460	400	945	270	12	20	10
				410			12	24	16
2100110	350	Double orifice	520	460	945	310	16	20	10
				470			16	24	16
2100111	400	Double orifice	580	515	945	335	16	24	10
				525			16	27	16